



SRDF-2

PARTS LIST

Published in Jun.'01
843C0120

Parts List

SRDF-2

NOTE

1. Indicate parts number and machine model when placing an order.

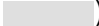
| eg. Parts Number | Parts Name | Machine Model | Cycle | Quantity |
|------------------|-------------|---------------|-------|----------|
| 3C004010 | FRONT COVER | SRDF-2 | 60Hz | 1 |

2. Service calls and freight will be charged separately.

3. Symbols in the "Parts Number" column.

- Parts with "●" indicates the service parts and the parts without "●" can not be supplied.

4. See the last page of this parts list for the classification of the screws in the illustrations.

5. Items indicated by shaded areas () are supply parts and should be ordered through your Regional Office.

———— CONTENTS ————

| | | |
|-------|------------------------------|----|
| FIG.1 | EXTERIOR COVERS | 2 |
| FIG.2 | FRAMES | 4 |
| FIG.3 | PAPER FEED-IN SECTION | 6 |
| FIG.4 | PAPER CONVEYING SECTION..... | 8 |
| FIG.5 | REVERSING SECTION | 10 |
| FIG.6 | PAPER EJECT SECTION..... | 12 |
| FIG.7 | DRIVING SECTION | 14 |
| FIG.8 | ELECTRICAL COMPONENTS | 16 |
| | • INDEX | 18 |

FIG. 1 EXTERIOR COVERS

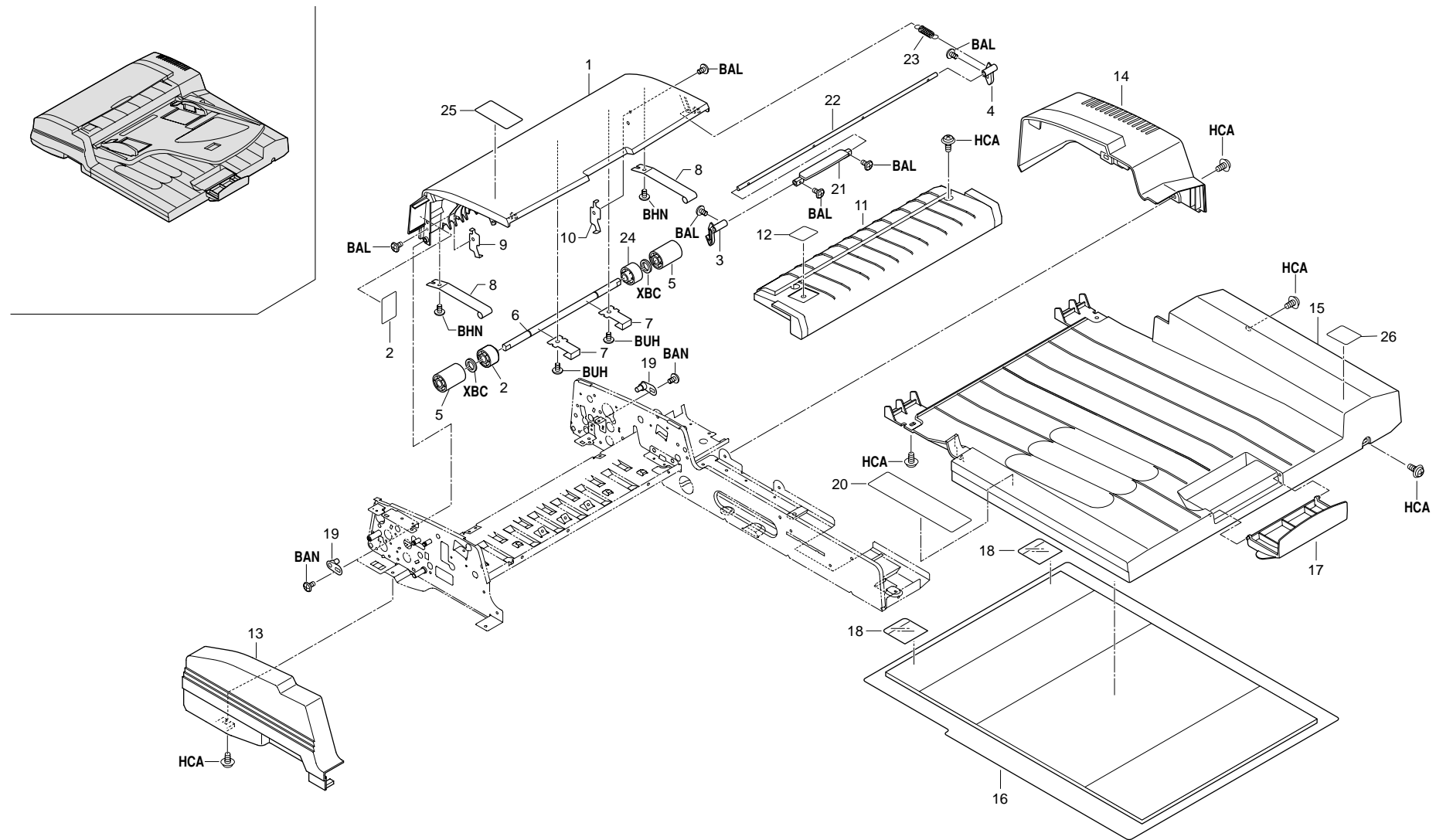


FIG. 1 EXTERIOR COVERS

3C0

| SP | Ref. No. | Part. No. | Description | Quantity | | |
|----|----------|-----------|-------------------------------------|----------|------|------|
| | | | | 120V | 230V | 240V |
| ● | 1 | 3AL04120 | LEFT COVER(K M) | 1 | 1 | 1 |
| ● | 2 | 3AL05090 | LABEL,JAM REMOVAL | 1 | 1 | 1 |
| | 3 | 3AL07260 | FRONT HOOK,LEFT COVER | 1 | 1 | 1 |
| | 4 | 3AL07270 | REAR HOOK,LEFT COVER | 1 | 1 | 1 |
| ● | 5 | 3AL08140 | UPPER PULLEY,CONVEYING | 2 | 2 | 2 |
| | 6 | 3AL08180 | UPPER SHAFT,CONVEYING PULLEY | 1 | 1 | 1 |
| | 7 | 3AL08220 | UPPER PLATE SPRING,CONVEYING PULLEY | 2 | 2 | 2 |
| | 8 | 3AL08270 | PLATE SPRING,REGISTRATION GUIDE | 2 | 2 | 2 |
| | 9 | 3AL08360 | STOPPER,LEFT COVER FRONT | 1 | 1 | 1 |
| | 10 | 3AL08370 | STOPPER,LEFT COVER REAR | 1 | 1 | 1 |
| ● | 11 | 3BC04011 | COVER,PAPER FEED | 1 | 1 | 1 |
| ● | 12 | 3AL05080 | LABEL,ORIGINAL SET | 1 | 1 | 1 |
| ● | 13 | 3C004010 | FRONT COVER | 1 | 1 | 1 |
| ● | 14 | 3C004020 | REAR COVER | 1 | 1 | 1 |
| ● | 15 | 3AL04110 | RIGHT COVER(K M) | 1 | 1 | 1 |
| | 16 | 3AL04060 | MAT,ORIGINAL HOLDER | 1 | 1 | 1 |
| ● | 17 | 3C004030 | STOPPER,EJECT ORIGINAL | 1 | 1 | 1 |
| | 18 | 3AL04080 | FILM,ORIGINAL HOLDER | 2 | 2 | 2 |
| | 19 | 63202120 | SUPPORT PLATE,COVER | 2 | 2 | 2 |
| ● | 20 | 3AL05111 | LABEL,OPERATION | 1 | 1 | 1 |
| | 21 | 3C004040 | HANDLE,HOOK | 1 | 1 | 1 |
| | 22 | 3AL07290 | SHAFT,HOOK | 1 | 1 | 1 |
| | 23 | 72118141 | SPRING,CLEANING BLADE | 1 | 1 | 1 |
| ● | 24 | 3AL08500 | PULLEY,REGISTRATION | 2 | 2 | 2 |
| ● | 25 | 3AL05120 | LABEL,DF ORIGINAL CAUTION | 1 | 1 | 1 |
| ● | 26 | 3C005020 | LABEL,HINGE CAUTION | 1 | 1 | 1 |

• Parts with "●" indicates the Service parts.

FIG. 2 FRAMES

3C0

| SP | Ref. No. | Part. No. | Description | Quantity | | |
|----|----------|-----------|-----------------------------------|----------|------|------|
| | | | | 120V | 230V | 240V |
| ● | 1 | 3AL03012 | LEFT HINGE | 1 | 1 | 1 |
| ● | 2 | 3AL03023 | RIGHT HINGE | 1 | 1 | 1 |
| | 3 | 3AL02200 | SPACER,SRDF | 1 | 1 | 1 |
| | 4 | 3AL02050 | MOUNT,RELEASE SWITCH | 1 | 1 | 1 |
| ● | 5 | 36827140 | SWITCH A,INTERLOCK | 1 | 1 | 1 |
| | 6 | 3AL02080 | HOLDER,SPRING | 1 | 1 | 1 |
| | 7 | 3AL02070 | STOPPER,ORIGINAL DETECTION SWITCH | 1 | 1 | 1 |
| | 8 | 66008070 | SPRING,DRUM DRIVE | 1 | 1 | 1 |
| | 9 | M2104200 | EDGING EDS-1 | 2 | 2 | 2 |
| | 10 | M2109260 | WIRE SADDLE,YMC-05-H-0(KITAGAWA) | 4 | 4 | 4 |
| | 11 | 3BC02040 | MOUNT,DF PCB | 2 | 2 | 2 |
| | 12 | M1203200 | OPEN BUSHING,OCB-375 | 3 | 3 | 3 |
| | 13 | 3AL03032 | LEFT STAY,HINGE | 1 | 1 | 1 |
| | 14 | 3AL03045 | RIGHT STAY,HINGE | 1 | 1 | 1 |
| | 15 | 3AL02100 | GUIDE,INTERFACE WIRE | 1 | 1 | 1 |
| | 16 | M2105730 | MINIATURE CLAMP,UAMS-07-0 | 2 | 2 | 2 |
| | 17 | 29820110 | FRONT PIN,FULCRUM | 4 | 4 | 4 |
| | 18 | 3AL03050 | PIN,HINGE ADJUSTMENT(M) | 1 | 1 | 1 |
| | 19 | M2109080 | LOCKING WIRE SADDLE,LWS-4NS | 1 | 1 | 1 |
| | 20 | 3BC02010 | FRONT FRAME | 1 | 1 | 1 |
| | 21 | 3BC02020 | REAR FRAME | 1 | 1 | 1 |
| | 22 | 3BC02030 | STAY,PAPER FEED | 1 | 1 | 1 |
| | 23 | 65907610 | SEAL,PAPER EMPTY | 1 | 1 | 1 |
| | 24 | 23227350 | SHIELD B,GASKET | 2 | 2 | 2 |

• Parts with "●" indicates the Service parts.

FIG. 3 PAPER FEED-IN SECTION

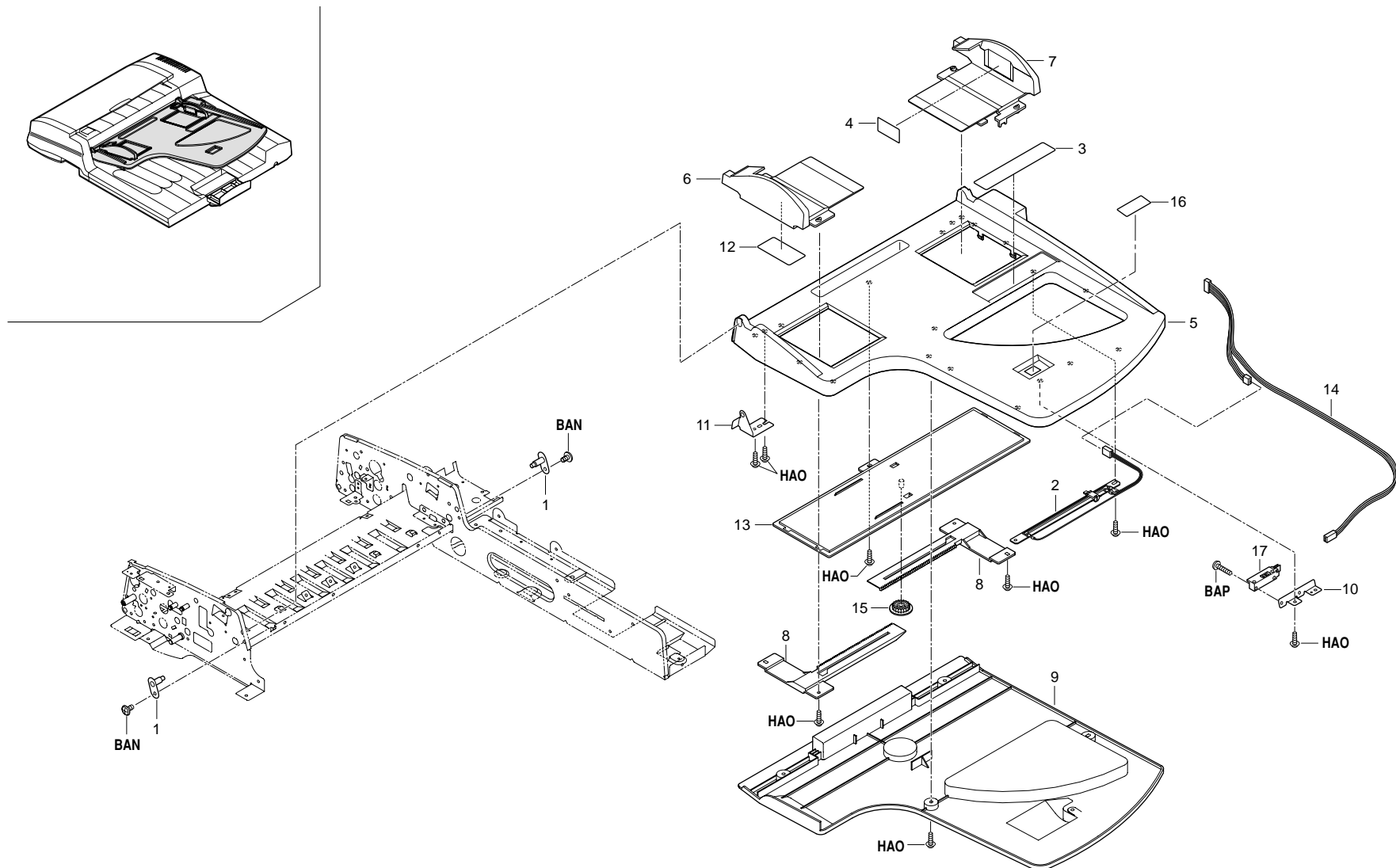


FIG. 3 PAPER FEED-IN SECTION

3C0

| SP | Ref. No. | Part. No. | Description | Quantity | | |
|----|----------|-----------|---------------------------------|----------|------|------|
| | | | | 120V | 230V | 240V |
| | 1 | 3AL06102 | FULCRUM PIN, TABLE | 2 | 2 | 2 |
| ● | 2 | 18327100 | SWITCH, SIZE DETECTION | 1 | 1 | 1 |
| ● | 3 | 3AL05040 | LABEL, ORIGINAL SIZE (METRIC) | | 1 | 1 |
| ● | 3 | 3AL05050 | LABEL, ORIGINAL SIZE (INCH) | 1 | | |
| | 4 | 3AL05060 | LABEL, ORIGINAL CURSOR (METRIC) | | 1 | 1 |
| | 4 | 3AL05070 | LABEL, ORIGINAL CURSOR (INCH) | 1 | | |
| ● | 5 | 3C006010 | TABLE, ORIGINAL | 1 | 1 | 1 |
| | 6 | 3AL06130 | FRONT GUIDE, ORIGINAL (K M) | 1 | 1 | 1 |
| | 7 | 3AL06140 | REAR GUIDE, ORIGINAL (K M) | 1 | 1 | 1 |
| | 8 | 3AL06041 | RACK, TABLE | 2 | 2 | 2 |
| ● | 9 | 3C006020 | COVER, TABLE | 1 | 1 | 1 |
| | 10 | 3AL06060 | MOUNT, SIZE DETECTION | 1 | 1 | 1 |
| | 11 | 3AL06072 | FRONT SUPPORT PLATE, TABLE | 1 | 1 | 1 |
| | 12 | 3AL06090 | CUSHION, ORIGINAL GUIDE | 1 | 1 | 1 |
| ● | 13 | 3C006030 | COVER, ORIGINAL GUIDE | 1 | 1 | 1 |
| | 14 | 3AL27030 | WIRE, TABLE | 1 | 1 | 1 |
| | 15 | 65907210 | GEAR 20, CASSETTE | 1 | 1 | 1 |
| ● | 16 | 78706241 | FILTER CF SENSOR | 1 | 1 | 1 |
| ● | 17 | 78727110 | JAM DETECTION SWITCH | 1 | 1 | 1 |

• Parts with "●" indicates the Service parts.

FIG. 4 PAPER CONVEYING SECTION

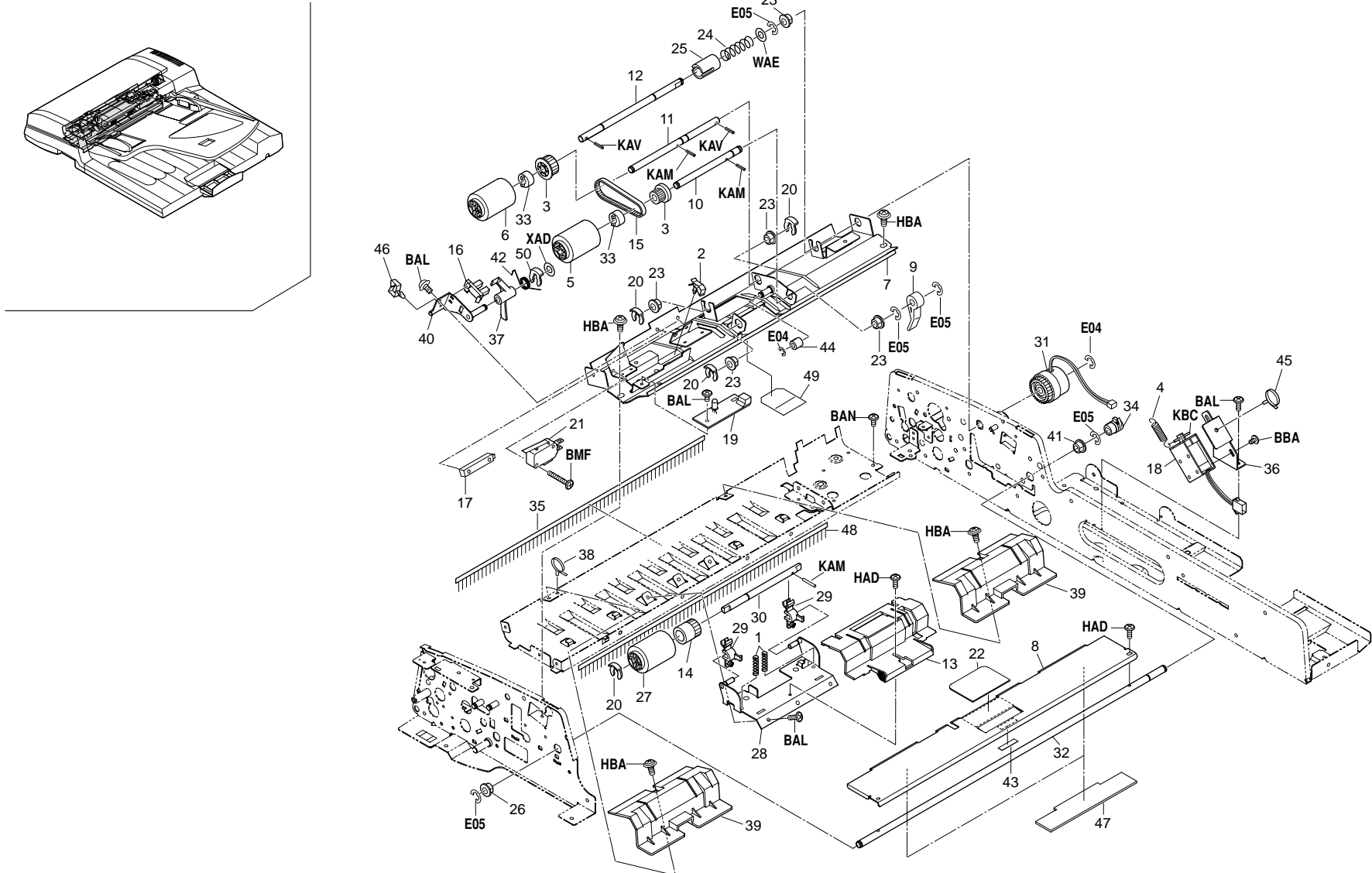


FIG. 4 PAPER CONVEYING SECTION

3C0

| SP | Ref. No. | Part. No. | Description | Quantity | | |
|----|----------|-----------|--------------------------------|----------|------|------|
| | | | | 120V | 230V | 240V |
| | 1 | 3BR07180 | SPRING,SEPARATION PULLEY | 2 | 2 | 2 |
| | 2 | M2109350 | WIRE SADDLE,YMC-15-0(KITAGAWA) | 1 | 1 | 1 |
| ● | 3 | 66206190 | LOWER PULLEY 26,FEED | 2 | 2 | 2 |
| | 4 | 3BC07250 | SPRING,LIFT PLATE | 1 | 1 | 1 |
| ● | 5 | 3BC07010 | PULLEY,LEADING FEED | 1 | 1 | 1 |
| ● | 6 | 3BC07020 | PULLEY,SEPARATION | 1 | 1 | 1 |
| | 7 | 3BC07031 | UPPER GUIDE,PAPER FEED | 1 | 1 | 1 |
| | 8 | 3BC07050 | LIFT PLATE,PAPER FEED | 1 | 1 | 1 |
| | 9 | 3BC07260 | STOPPER,ORIGINAL | 1 | 1 | 1 |
| | 10 | 3BC07080 | SHAFT,LEADING FEED | 1 | 1 | 1 |
| | 11 | 3BC07090 | FRONT SHAFT,PAPER FEED | 1 | 1 | 1 |
| | 12 | 3BC07100 | REAR SHAFT,PAPER FEED | 1 | 1 | 1 |
| | 13 | 3BC07230 | GUIDE,SEPARATION | 1 | 1 | 1 |
| ● | 14 | 33906430 | TORQUE LIMITER,BYPASS | 1 | 1 | 1 |
| ● | 15 | 3BC07170 | BELT 138,LEADING FEED | 1 | 1 | 1 |
| ● | 16 | 35327400 | SWITCH,FEED | 1 | 1 | 1 |
| ● | 17 | 63227150 | SWITCH L,FEED | 1 | 1 | 1 |
| ● | 18 | 3AL27070 | SOLENOID,LEADING FEED | 1 | 1 | 1 |
| ● | 19 | 3AL28020 | SET LED PCB | 1 | 1 | 1 |
| ● | 20 | 34806150 | STOPPER 5 | 4 | 4 | 4 |
| ● | 21 | 36827140 | SWITCH A,INTERLOCK | 1 | 1 | 1 |
| ● | 22 | 3BC07320 | PAD,LIFT | 1 | 1 | 1 |
| ● | 23 | 73210450 | BUSH, 6 | 5 | 5 | 5 |
| | 24 | 73818100 | SPRING, BLADE THRUST | 1 | 1 | 1 |
| | 25 | 74306520 | JOINT,PULLEY DRIVE SHAFT | 1 | 1 | 1 |
| ● | 26 | 29806560 | BUSHING 6 | 1 | 1 | 1 |
| ● | 27 | 3BC07020 | PULLEY,SEPARATION | 1 | 1 | 1 |
| | 28 | 3BC07060 | MOUNT,SEPARATION PULLEY | 1 | 1 | 1 |
| | 29 | 3BC07071 | ARM,SEPARATION PULLEY | 2 | 2 | 2 |
| | 30 | 3BC07111 | SHAFT,SEPARATION | 1 | 1 | 1 |
| ● | 31 | 3AL93010 | PARTS,CLUTCH PAPER FEED,SP | 1 | 1 | 1 |
| | 32 | 3BC07120 | SHAFT,LIFT PLATE | 1 | 1 | 1 |
| ● | 33 | 3BC07130 | ONE-WAY CLUTCH 6 | 2 | 2 | 2 |
| | 34 | 3BC07300 | LEVER B,LIFT | 1 | 1 | 1 |
| ● | 35 | 63212210 | STATIC ELIMINATOR,EJECT | 1 | 1 | 1 |
| | 36 | 3BC07161 | MOUNT,LIFT SOLENOID | 1 | 1 | 1 |
| | 37 | 3BC07181 | ACTUATOR,ORIGINAL SET | 1 | 1 | 1 |
| | 38 | M0207000 | BINDING BAND,KB-100-1 | 1 | 1 | 1 |
| | 39 | 3BC07040 | LOWER GUIDE,PAPER FEED | 2 | 2 | 2 |
| | 40 | 3BC07200 | MOUNT,SET SWITCH | 1 | 1 | 1 |

| SP | Ref. No. | Part. No. | Description | Quantity | | |
|----|----------|-----------|------------------------------|----------|------|------|
| | | | | 120V | 230V | 240V |
| ● | 41 | 73210450 | BUSH, 6 | 1 | 1 | 1 |
| | 42 | 3BC07210 | SPRING,ACTUATOR | 1 | 1 | 1 |
| | 43 | 65706200 | SEAL B,RACK | 1 | 1 | 1 |
| | 44 | 65710330 | PULLEY,EJECT TENSION | 1 | 1 | 1 |
| | 45 | M2607010 | BINDING BAND,PLT1M | 1 | 1 | 1 |
| | 46 | M2105720 | MINIATURE CLAMP,UAMS-05-2 | 1 | 1 | 1 |
| | 47 | 3BC07270 | SHEET,LIFT PLATE PAPER FEED | 2 | 2 | 2 |
| ● | 48 | 3BC07310 | STATIC ELIMINATOR,EJECT | 1 | 1 | 1 |
| ● | 49 | 3BC07290 | UPPER SHEET,GUIDE PAPER FEED | 1 | 1 | 1 |
| | 50 | 34806140 | STOPPER 4 | 1 | 1 | 1 |

• Parts with "●" indicates the Service parts.

FIG. 5 REVERSING SECTION

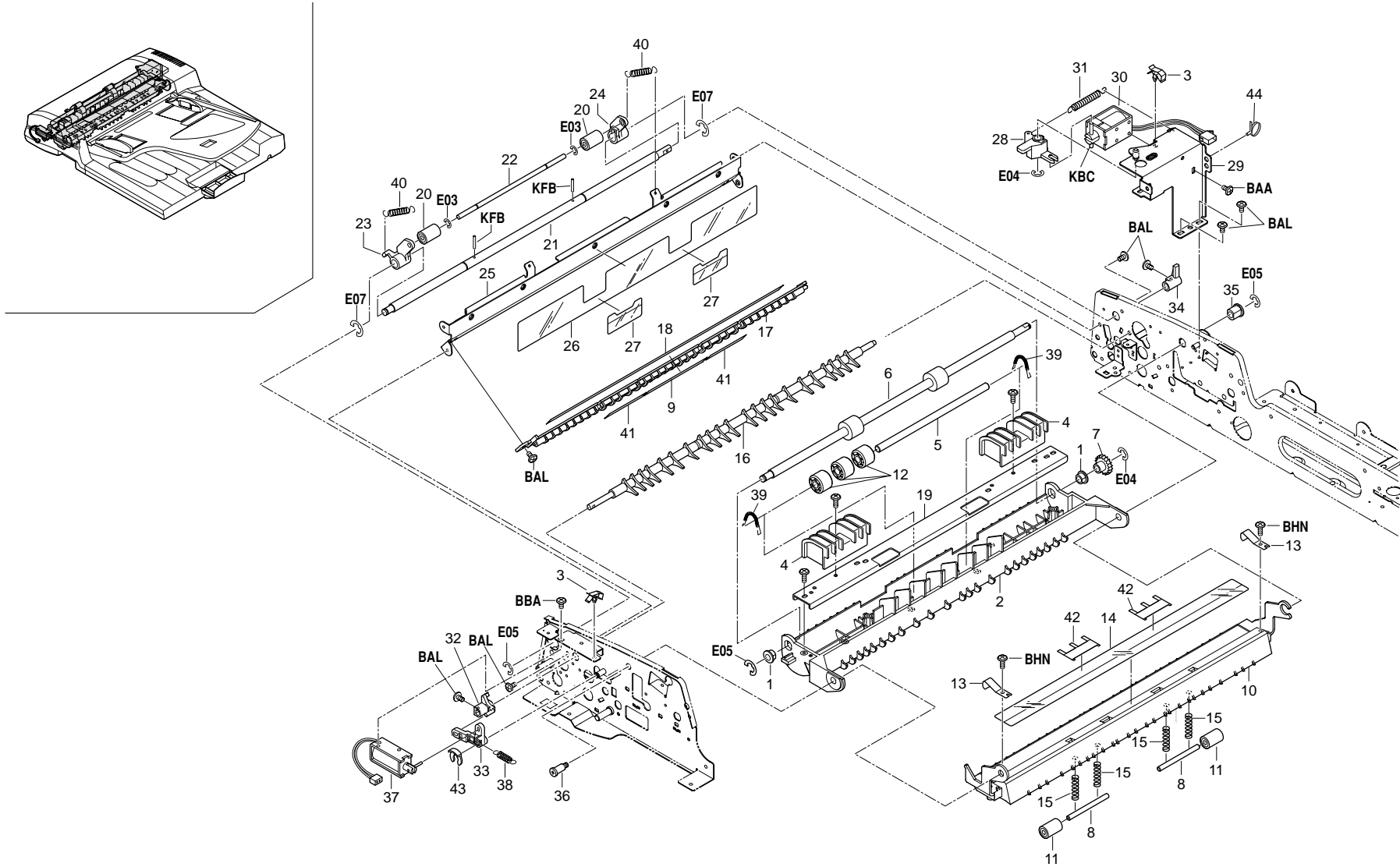


FIG. 5 REVERSING SECTION

3C0

| SP | Ref. No. | Part. No. | Description | Quantity | | |
|----|----------|-----------|----------------------------------|----------|------|------|
| | | | | 120V | 230V | 240V |
| ● | 1 | 29806560 | BUSHING 6 | 2 | 2 | 2 |
| | 2 | 3BC08031 | GUIDE,RESISTANCE | 1 | 1 | 1 |
| | 3 | M2109260 | WIRE SADDLE,YMC-05-H-0(KITAGAWA) | 2 | 2 | 2 |
| | 4 | 3BC08190 | HANDLE,REGISTRATION GUIDE | 2 | 2 | 2 |
| | 5 | 3BC08090 | SHAFT,REGISTRATION PULLEY | 1 | 1 | 1 |
| ● | 6 | 3AL10020 | ROLLER,LOOP | 1 | 1 | 1 |
| ● | 7 | 33918100 | GEAR 18,FUR BRUSH | 1 | 1 | 1 |
| | 8 | 3BC08060 | SHAFT,EJECT PULLEY | 2 | 2 | 2 |
| | 9 | 3AL10281 | LOWER LEFT SHEET B,GUIDE LOOP | 1 | 1 | 1 |
| | 10 | 3BC08042 | GUIDE,EJECT | 1 | 1 | 1 |
| ● | 11 | 3AL08170 | PULLEY,EJECT | 2 | 2 | 2 |
| ● | 12 | 3BC08220 | PULLEY B,REGISTRATION | 3 | 3 | 3 |
| | 13 | 3AL08260 | PLATE SPRING,EJECT GUIDE | 2 | 2 | 2 |
| | 14 | 3AL08410 | SHEET,GUIDE EJECT | 1 | 1 | 1 |
| | 15 | 3AL08560 | SPRING,EJECT PULLEY | 4 | 4 | 4 |
| | 16 | 3AL10032 | GUIDE,LOOP FEED SHIFT | 1 | 1 | 1 |
| | 17 | 3AL10165 | LEFT GUIDE,LOOP | 1 | 1 | 1 |
| | 18 | 3AL10181 | LEFT SHEET,GUIDE LOOP | 1 | 1 | 1 |
| | 19 | 3BC08180 | REINFORCEMENT,REGISTRATION GUIDE | 1 | 1 | 1 |
| ● | 20 | 3AL08170 | PULLEY,EJECT | 2 | 2 | 2 |
| | 21 | 3AL10040 | SHAFT,FULCRUM PULLEY | 1 | 1 | 1 |
| | 22 | 3AL10060 | SHAFT,LOOP PULLEY | 1 | 1 | 1 |
| | 23 | 3AL10120 | FRONT HOLDER,LOOP PULLEY | 1 | 1 | 1 |
| | 24 | 3AL10200 | REAR HOLDER,LOOP PULLEY | 1 | 1 | 1 |
| | 25 | 3AL10011 | GUIDE,LOOP | 1 | 1 | 1 |
| | 26 | 3AL10170 | SHEET,GUIDE LOOP | 1 | 1 | 1 |
| | 27 | 3AL10210 | SHEET,LOOP PULLEY | 2 | 2 | 2 |
| | 28 | 3AL10091 | LEVER,LOOP PULLEY SOLENOID | 1 | 1 | 1 |
| | 29 | 3AL10143 | MOUNT,LOOP PULLEY SOLENOID | 1 | 1 | 1 |
| ● | 30 | 3AL27111 | SOLENOID,LOOP PULLEY | 1 | 1 | 1 |
| | 31 | 3AL10230 | SPRING,LOOP PULLEY SOLENOID | 1 | 1 | 1 |
| | 32 | 3AL10081 | LEVER,LOOP FEED SHIFT | 1 | 1 | 1 |
| | 33 | 3AL10110 | LEVER,LOOP FEED SHIFT SOLENOID | 1 | 1 | 1 |
| | 34 | 3AL10100 | LEVER,LOOP PULLEY | 1 | 1 | 1 |
| | 35 | 60606101 | BUSHING FEED BACK ROLLER | 1 | 1 | 1 |
| | 36 | 3BC07190 | PIN,PAPER FEED GUIDE | 1 | 1 | 1 |
| ● | 37 | 3AL27080 | SOLENOID,FEED SHIFT | 1 | 1 | 1 |
| | 38 | 3AL08490 | SPRING,EJECT FEED SHIFT | 1 | 1 | 1 |
| | 39 | 3BC08130 | SPRING,REGISTRATION PULLEY | 2 | 2 | 2 |
| | 40 | 63526080 | SPRING,SAFETY SWITCH LEVER | 2 | 2 | 2 |

| SP | Ref. No. | Part. No. | Description | Quantity | | |
|----|----------|-----------|--------------------------------|----------|------|------|
| | | | | 120V | 230V | 240V |
| | 41 | 3AL08590 | UPPER SHEET B,CONVEYING PULLEY | 2 | 2 | 2 |
| ● | 42 | 3BC08140 | SHEET,EJECT PULLEY | 2 | 2 | 2 |
| | 43 | 34806140 | STOPPER 4 | 1 | 1 | 1 |
| | 44 | M2607010 | BINDING BAND,PLT1M | 1 | 1 | 1 |

• Parts with "●" indicates the Service parts.

FIG. 6 PAPER EJECT SECTION

3C0

| SP | Ref. No. | Part. No. | Description | Quantity | | |
|----|----------|-----------|-------------------------------------|----------|------|------|
| | | | | 120V | 230V | 240V |
| | 1 | 3AL08033 | GUIDE,CONVEYING | 1 | 1 | 1 |
| | 2 | 3AL08190 | LOWER SHAFT,CONVEYING PULLEY | 1 | 1 | 1 |
| | 3 | 3AL08240 | LOWER PLATE SPRING,CONVEYING PULLEY | 2 | 2 | 2 |
| | 4 | 3AL08302 | COVER,CONVEYING PULLEY | 1 | 1 | 1 |
| | 5 | 3AL08421 | OUTER SHEET,GUIDE CONVEYING | 2 | 2 | 2 |
| | 6 | 3AL08430 | INNER SHEET,GUIDE CONVEYING | 1 | 1 | 1 |
| ● | 7 | 3AL08480 | FRONT PULLEY,READING | 2 | 2 | 2 |
| | 8 | 3AL08451 | SHEET,GUIDE PLATE EJECT | 1 | 1 | 1 |
| | 9 | 3AL08072 | GUIDE,READING | 1 | 1 | 1 |
| | 10 | 3AL08401 | SHEET,ORIGINAL HOLDER | 1 | 1 | 1 |
| | 11 | 3AL10072 | LIGHT SHIELD,LOOP | 1 | 1 | 1 |
| | 12 | 3AL10131 | MOUNT,LIGHT SHIELD | 1 | 1 | 1 |
| | 13 | 3AL08310 | MOUNT,EJECT SOLENOID | 1 | 1 | 1 |
| ● | 14 | 3AL27080 | SOLENOID,FEED SHIFT | 1 | 1 | 1 |
| ● | 15 | 63806290 | BUSHING,6 | 1 | 1 | 1 |
| ● | 16 | 73210450 | BUSH, 6 | 1 | 1 | 1 |
| | 17 | 3BC08011 | RIGHT GUIDE,REGISTRATION | 1 | 1 | 1 |
| | 18 | 3BC08020 | GUIDE PLATE,EJECT | 1 | 1 | 1 |
| ● | 19 | 3BC08150 | INNER ROLLER,CONVEYING | 1 | 1 | 1 |
| | 20 | 3BC22110 | SPRING,CONVEYING ROLLER | 1 | 1 | 1 |
| | 21 | 3AL10190 | SPRING,LIGHT SHIELD | 1 | 1 | 1 |
| ● | 22 | 78727110 | JAM DETECTION SWITCH | 1 | 1 | 1 |
| | 23 | 63511541 | PIN,ADF | 2 | 2 | 2 |
| ● | 24 | 3AL08530 | INNER SHEET,GUIDE CONVEYING LARGE | 1 | 1 | 1 |
| | 25 | 74808080 | BEARING,686ZZNR | 6 | 6 | 6 |
| | 26 | 3BC08160 | GUIDE,EJECT FEED SHIFT | 1 | 1 | 1 |
| | 27 | 3BC08081 | LEVER,EJECT | 1 | 1 | 1 |
| | 28 | 3AL08341 | LEVER,EJECT SOLENOID | 1 | 1 | 1 |
| | 29 | M2105720 | MINIATURE CLAMP,UAMS-05-2 | 3 | 3 | 3 |
| ● | 30 | 3AL08161 | UPPER ROLLER,CONVEYING | 1 | 1 | 1 |
| ● | 31 | 3AL02150 | GEAR 24,JAM REMOVENT | 1 | 1 | 1 |
| ● | 32 | 3AL08112 | LOWER ROLLER,CONVEYING | 1 | 1 | 1 |
| ● | 33 | 18307370 | PULLEY 25/18P2M,PAPER FEED | 1 | 1 | 1 |
| ● | 34 | 3AL22040 | GEAR Z18/T25P2M | 1 | 1 | 1 |
| ● | 35 | 29806560 | BUSHING 6 | 2 | 2 | 2 |
| | 36 | 75714210 | COLLAR DEVELOPING UNIT | 1 | 1 | 1 |
| ● | 37 | 33918100 | GEAR 18,FUR BRUSH | 1 | 1 | 1 |
| ● | 38 | 18307550 | PULLEY 18P2M,LEADING FEED | 2 | 2 | 2 |
| ● | 39 | 3AL08130 | ROLLER,EJECT | 1 | 1 | 1 |
| | 40 | 3BC22010 | TENSION PLATE,CONVEYING ROLLER | 1 | 1 | 1 |

| SP | Ref. No. | Part. No. | Description | Quantity | | |
|----|----------|-----------|-------------------------------------|----------|------|------|
| | | | | 120V | 230V | 240V |
| | 41 | 48928800 | PULLEY,TIMING BELT | 1 | 1 | 1 |
| | 42 | 63814260 | SPRING,DEV. SHUTTER | 1 | 1 | 1 |
| | 43 | 72418480 | SPRING, SPIRAL ROLLER | 2 | 2 | 2 |
| | 44 | 3AL07230 | PIN,PAPER FEED | 2 | 2 | 2 |
| | 45 | 3AL08013 | LEFT GUIDE,REGISTRATION | 1 | 1 | 1 |
| ● | 46 | 3AL02160 | GEAR 14,JAM REMOVENT | 1 | 1 | 1 |
| | 47 | 3AL02121 | MOUNT,JAM REMOVENT DIAL | 1 | 1 | 1 |
| | 48 | 3AL02110 | DIAL,JAM REMOVENT | 1 | 1 | 1 |
| ● | 49 | 3AL02170 | GEAR 14,JOINT | 1 | 1 | 1 |
| | 50 | 3AL08280 | MOUNT,CONVEYING PULLEY | 1 | 1 | 1 |
| | 51 | 3AL08250 | INNER PLATE SPRING,CONVEYING PULLEY | 2 | 2 | 2 |
| ● | 52 | 3AL08100 | INNER PULLEY,CONVEYING | 2 | 2 | 2 |
| | 53 | 3AL08201 | INNER SHAFT,CONVEYING PULLEY | 1 | 1 | 1 |
| | 54 | 73918080 | PIN,CLEANING BLADE | 1 | 1 | 1 |
| | 55 | M2109260 | WIRE SADDLE,YMC-05-H-0(KITAGAWA) | 1 | 1 | 1 |
| ● | 56 | 3BC08050 | ROLLER,REGISTRATION | 1 | 1 | 1 |
| | 57 | 3BC08070 | MOUNT,TIMING SWITCH | 1 | 1 | 1 |
| ● | 58 | 35327400 | SWITCH,FEED | 1 | 1 | 1 |
| ● | 59 | 3BC22080 | BELT 112,REGISTRATION ROLLER | 1 | 1 | 1 |
| ● | 60 | 3BC22090 | BELT 140,MIDDLE ROLLER | 1 | 1 | 1 |
| ● | 61 | 65016080 | STOP RING E3 | 1 | 1 | 1 |

• Parts with "●" indicates the Service parts.

FIG. 7 DRIVING SECTION

3C0

| SP | Ref. No. | Part. No. | Description | Quantity | | |
|----|----------|-----------|-----------------------------------|----------|------|------|
| | | | | 120V | 230V | 240V |
| | 1 | 3BC22020 | MOUNT, IDLE GEAR | 1 | 1 | 1 |
| ● | 2 | 63814100 | IDLE GEAR 15, AGITATION | 1 | 1 | 1 |
| ● | 3 | 65011310 | GEAR 20, IDLE | 1 | 1 | 1 |
| | 4 | 3BC22030 | MOUNT, PAPER FEED MOTOR | 1 | 1 | 1 |
| ● | 5 | 3AL27011 | MOTOR, PAPER FEED | 2 | 2 | 2 |
| | 6 | 34920190 | GROUND PLATE, FIXING UNIT | 1 | 1 | 1 |
| | 7 | 78722151 | PULLEY 20 | 2 | 2 | 2 |
| | 8 | 3BC22040 | MOUNT, CONVEYING MOTOR | 1 | 1 | 1 |
| | 9 | 3AL02190 | GUIDE B, WIRE PAPER FEED MOTOR | 1 | 1 | 1 |
| | 10 | 34920190 | GROUND PLATE, FIXING UNIT | 1 | 1 | 1 |
| | 11 | 75018250 | SPRING CLEANING SOLENOID | 1 | 1 | 1 |
| ● | 12 | 66018180 | GEAR 26, SPIRAL ROLLER | 1 | 1 | 1 |
| ● | 13 | 3AL22010 | PULLEY T35/T22/Z22 | 1 | 1 | 1 |
| | 14 | 3BC22050 | TENSION PLATE, PAPER FEED MOTOR | 1 | 1 | 1 |
| | 15 | 48928800 | PULLEY, TIMING BELT | 1 | 1 | 1 |
| ● | 16 | 76221040 | GEAR 28 FD | 1 | 1 | 1 |
| ● | 17 | 3AL22030 | GEAR Z22/T35P2M | 1 | 1 | 1 |
| ● | 18 | 3AL22020 | PULLEY T28/Z18 | 1 | 1 | 1 |
| ● | 19 | 3BC22070 | BELT 190, PAPER FEED MOTOR | 1 | 1 | 1 |
| ● | 20 | 3BC22080 | BELT 112, REGISTRATION ROLLER | 1 | 1 | 1 |
| | 21 | 75714210 | COLLAR DEVELOPING UNIT | 1 | 1 | 1 |
| | 22 | M2109260 | WIRE SADDLE, YMC-05-H-0(KITAGAWA) | 1 | 1 | 1 |
| ● | 23 | 3BC22100 | BELT 100, CONVEYING | 1 | 1 | 1 |

• Parts with "●" indicates the Service parts.

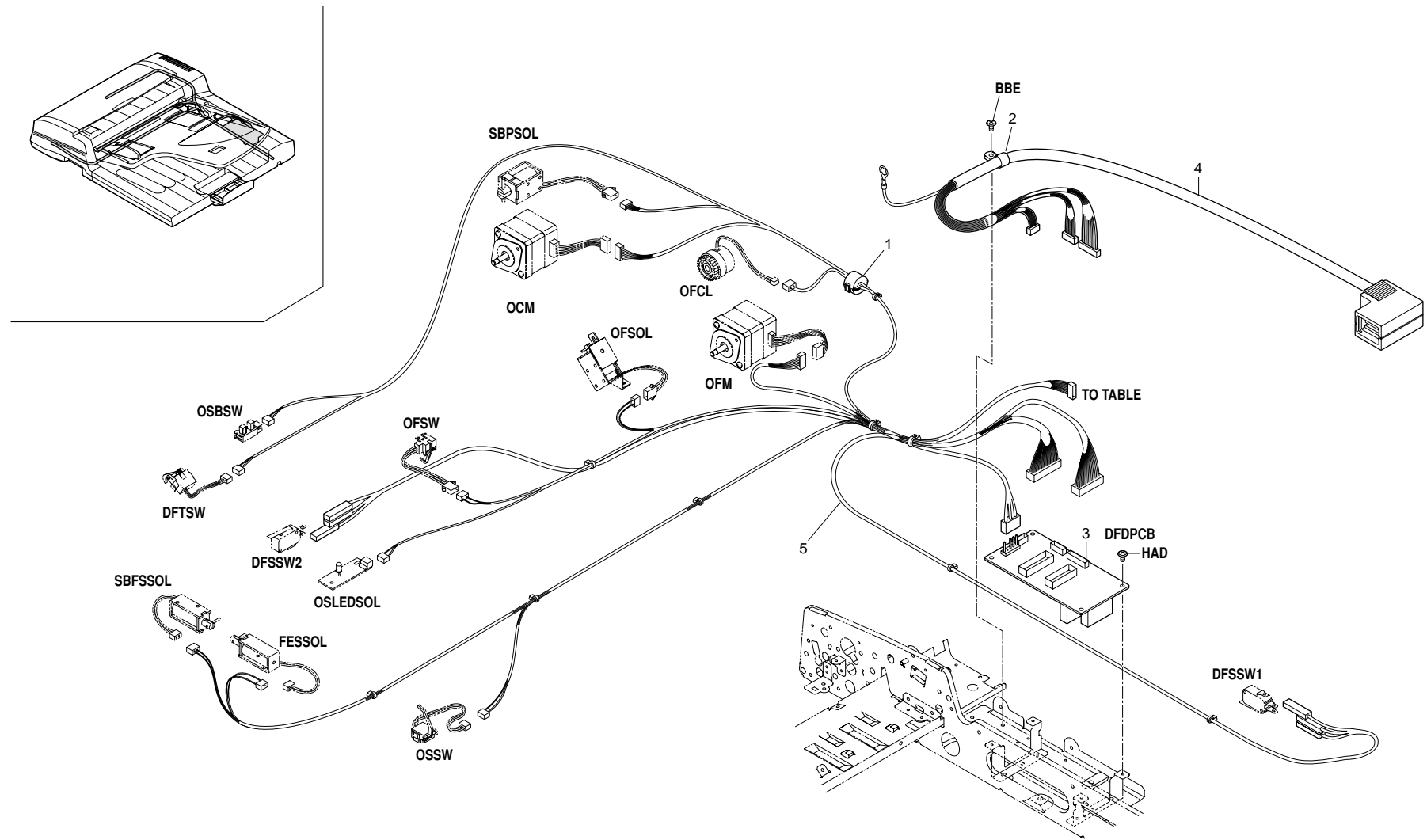


FIG. 8 ELECTRICAL COMPONENTS

3C0

| SP | Ref. No. | Part. No. | Description | Quantity | | |
|----|----------|-----------|----------------------|----------|------|------|
| | | | | 120V | 230V | 240V |
| ● | 1 | 65027470 | CORE,7-15X18 | 1 | 1 | 1 |
| | 2 | M2105040 | NYLON CLAMP 6N,NK-6N | 1 | 1 | 1 |
| | 3 | 3AL93020 | PARTS,DRIVER PCB,SP | 1 | 1 | 1 |
| | 4 | 3C027010 | WIRE B,INTERFACE | 1 | 1 | 1 |
| | 5 | 3BC27011 | WIRE,PAPER FEED | 1 | 1 | 1 |

• Parts with "●" indicates the Service parts.

INDEX

3C0

| SP | Part. No. | Description | Quantity | | | Fig. No. |
|----|-----------|-----------------------------------|----------|------|------|----------|
| | | | 120V | 230V | 240V | |
| ● | 18307370 | PULLEY 25/18P2M,PAPER FEED | 1 | 1 | 1 | 6 |
| ● | 18307550 | PULLEY 18P2M,LEADING FEED | 2 | 2 | 2 | 6 |
| ● | 18327100 | SWITCH,SIZE DETECTION | 1 | 1 | 1 | 3 |
| | 23227350 | SHIELD B,GASKET | 2 | 2 | 2 | 2 |
| ● | 29806560 | BUSHING 6 | 5 | 5 | 5 | 4,5,6 |
| | 29820110 | FRONT PIN,FULCRUM | 4 | 4 | 4 | 2 |
| | 3AL02050 | MOUNT,RELEASE SWITCH | 1 | 1 | 1 | 2 |
| | 3AL02070 | STOPPER,ORIGINAL DETECTION SWITCH | 1 | 1 | 1 | 2 |
| | 3AL02080 | HOLDER,SPRING | 1 | 1 | 1 | 2 |
| | 3AL02100 | GUIDE,INTERFACE WIRE | 1 | 1 | 1 | 2 |
| | 3AL02110 | DIAL,JAM REMOVENT | 1 | 1 | 1 | 6 |
| | 3AL02121 | MOUNT,JAM REMOVENT DIAL | 1 | 1 | 1 | 6 |
| ● | 3AL02150 | GEAR 24,JAM REMOVENT | 1 | 1 | 1 | 6 |
| ● | 3AL02160 | GEAR 14,JAM REMOVENT | 1 | 1 | 1 | 6 |
| ● | 3AL02170 | GEAR 14,JOINT | 1 | 1 | 1 | 6 |
| | 3AL02190 | GUIDE B,WIRE PAPER FEED MOTOR | 1 | 1 | 1 | 7 |
| | 3AL02200 | SPACER,SRDF | 1 | 1 | 1 | 2 |
| ● | 3AL03012 | LEFT HINGE | 1 | 1 | 1 | 2 |
| ● | 3AL03023 | RIGHT HINGE | 1 | 1 | 1 | 2 |
| | 3AL03032 | LEFT STAY,HINGE | 1 | 1 | 1 | 2 |
| | 3AL03045 | RIGHT STAY,HINGE | 1 | 1 | 1 | 2 |
| | 3AL03050 | PIN,HINGE ADJUSTMENT(M) | 1 | 1 | 1 | 2 |
| | 3AL04060 | MAT,ORIGINAL HOLDER | 1 | 1 | 1 | 1 |
| | 3AL04080 | FILM,ORIGINAL HOLDER | 2 | 2 | 2 | 1 |
| ● | 3AL04110 | RIGHT COVER(K M) | 1 | 1 | 1 | 1 |
| ● | 3AL04120 | LEFT COVER(K M) | 1 | 1 | 1 | 1 |
| ● | 3AL05040 | LABEL,ORIGINAL SIZE(METRIC) | | 1 | 1 | 3 |
| ● | 3AL05050 | LABEL,ORIGINAL SIZE(INCH) | 1 | | | 3 |
| | 3AL05060 | LABEL,ORIGINAL CURSOR(METRIC) | | 1 | 1 | 3 |
| | 3AL05070 | LABEL,ORIGINAL CURSOR(INCH) | 1 | | | 3 |
| ● | 3AL05080 | LABEL,ORIGINAL SET | 1 | 1 | 1 | 1 |
| ● | 3AL05090 | LABEL,JAM REMOVENT | 1 | 1 | 1 | 1 |
| ● | 3AL05111 | LABEL,OPERATION | 1 | 1 | 1 | 1 |
| ● | 3AL05120 | LABEL,DF ORIGINAL CAUTION | 1 | 1 | 1 | 1 |
| | 3AL06041 | RACK,TABLE | 2 | 2 | 2 | 3 |
| | 3AL06060 | MOUNT,SIZE DETECTION | 1 | 1 | 1 | 3 |
| | 3AL06072 | FRONT SUPPORT PLATE,TABLE | 1 | 1 | 1 | 3 |
| | 3AL06090 | CUSHION,ORIGINAL GUIDE | 1 | 1 | 1 | 3 |
| | 3AL06102 | FULCRUM PIN,TABLE | 2 | 2 | 2 | 3 |
| | 3AL06130 | FRONT GUIDE,ORIGINAL(K M) | 1 | 1 | 1 | 3 |

| SP | Part. No. | Description | Quantity | | | Fig. No. |
|----|-----------|------------------------------------|----------|------|------|----------|
| | | | 120V | 230V | 240V | |
| | 3AL06140 | REAR GUIDE,ORIGINAL(K M) | 1 | 1 | 1 | 3 |
| | 3AL07230 | PIN,PAPER FEED | 2 | 2 | 2 | 6 |
| | 3AL07260 | FRONT HOOK,LEFT COVER | 1 | 1 | 1 | 1 |
| | 3AL07270 | REAR HOOK,LEFT COVER | 1 | 1 | 1 | 1 |
| | 3AL07290 | SHAFT,HOOK | 1 | 1 | 1 | 1 |
| | 3AL08013 | LEFT GUIDE,REGISTRATION | 1 | 1 | 1 | 6 |
| | 3AL08033 | GUIDE,CONVEYING | 1 | 1 | 1 | 6 |
| | 3AL08072 | GUIDE,READING | 1 | 1 | 1 | 6 |
| ● | 3AL08100 | INNER PULLEY,CONVEYING | 2 | 2 | 2 | 6 |
| ● | 3AL08112 | LOWER ROLLER,CONVEYING | 1 | 1 | 1 | 6 |
| ● | 3AL08130 | ROLLER,EJECT | 1 | 1 | 1 | 6 |
| ● | 3AL08140 | UPPER PULLEY,CONVEYING | 2 | 2 | 2 | 1 |
| ● | 3AL08161 | UPPER ROLLER,CONVEYING | 1 | 1 | 1 | 6 |
| ● | 3AL08170 | PULLEY,EJECT | 4 | 4 | 4 | 5 |
| | 3AL08180 | UPPER SHAFT,CONVEYING PULLEY | 1 | 1 | 1 | 1 |
| | 3AL08190 | LOWER SHAFT,CONVEYING PULLEY | 1 | 1 | 1 | 6 |
| | 3AL08201 | INNER SHAFT,CONVEYING PULLEY | 1 | 1 | 1 | 6 |
| | 3AL08220 | UPPER PLATE SPRING,CONVEYING PULLE | 2 | 2 | 2 | 1 |
| | 3AL08240 | LOWER PLATE SPRING,CONVEYING PULLE | 2 | 2 | 2 | 6 |
| | 3AL08250 | INNER PLATE SPRING,CONVEYING PULLE | 2 | 2 | 2 | 6 |
| | 3AL08260 | PLATE SPRING,EJECT GUIDE | 2 | 2 | 2 | 5 |
| | 3AL08270 | PLATE SPRING,REGISTRATION GUIDE | 2 | 2 | 2 | 1 |
| | 3AL08280 | MOUNT,CONVEYING PULLEY | 1 | 1 | 1 | 6 |
| | 3AL08302 | COVER,CONVEYING PULLEY | 1 | 1 | 1 | 6 |
| | 3AL08310 | MOUNT,EJECT SOLENOID | 1 | 1 | 1 | 6 |
| | 3AL08341 | LEVER,EJECT SOLENOID | 1 | 1 | 1 | 6 |
| | 3AL08360 | STOPPER,LEFT COVER FRONT | 1 | 1 | 1 | 1 |
| | 3AL08370 | STOPPER,LEFT COVER REAR | 1 | 1 | 1 | 1 |
| | 3AL08401 | SHEET,ORIGINAL HOLDER | 1 | 1 | 1 | 6 |
| | 3AL08410 | SHEET,GUIDE EJECT | 1 | 1 | 1 | 5 |
| | 3AL08421 | OUTER SHEET,GUIDE CONVEYING | 2 | 2 | 2 | 6 |
| | 3AL08430 | INNER SHEET,GUIDE CONVEYING | 1 | 1 | 1 | 6 |
| | 3AL08451 | SHEET,GUIDE PLATE EJECT | 1 | 1 | 1 | 6 |
| ● | 3AL08480 | FRONT PULLEY,READING | 2 | 2 | 2 | 6 |
| | 3AL08490 | SPRING,EJECT FEED SHIFT | 1 | 1 | 1 | 5 |
| ● | 3AL08500 | PULLEY,REGISTRATION | 2 | 2 | 2 | 1 |
| | 3AL08530 | INNER SHEET,GUIDE CONVEYING LARGE | 1 | 1 | 1 | 6 |
| | 3AL08560 | SPRING,EJECT PULLEY | 4 | 4 | 4 | 5 |
| | 3AL08590 | UPPER SHEET B,CONVEYING PULLEY | 2 | 2 | 2 | 5 |
| | 3AL10011 | GUIDE,LOOP | 1 | 1 | 1 | 5 |

• Parts with "●" indicates the Service parts.

| SP | Part. No. | Description | Quantity | | | Fig. No. |
|----|-----------|--------------------------------|----------|------|------|----------|
| | | | 120V | 230V | 240V | |
| ● | 3AL10020 | ROLLER,LOOP | 1 | 1 | 1 | 5 |
| | 3AL10032 | GUIDE,LOOP FEED SHIFT | 1 | 1 | 1 | 5 |
| | 3AL10040 | SHAFT,FULCRUM PULLEY | 1 | 1 | 1 | 5 |
| | 3AL10060 | SHAFT,LOOP PULLEY | 1 | 1 | 1 | 5 |
| | 3AL10072 | LIGHT SHIELD,LOOP | 1 | 1 | 1 | 6 |
| | 3AL10081 | LEVER,LOOP FEED SHIFT | 1 | 1 | 1 | 5 |
| | 3AL10091 | LEVER,LOOP PULLEY SOLENOID | 1 | 1 | 1 | 5 |
| | 3AL10100 | LEVER,LOOP PULLEY | 1 | 1 | 1 | 5 |
| | 3AL10110 | LEVER,LOOP FEED SHIFT SOLENOID | 1 | 1 | 1 | 5 |
| | 3AL10120 | FRONT HOLDER,LOOP PULLEY | 1 | 1 | 1 | 5 |
| | 3AL10131 | MOUNT,LIGHT SHIELD | 1 | 1 | 1 | 6 |
| | 3AL10143 | MOUNT,LOOP PULLEY SOLENOID | 1 | 1 | 1 | 5 |
| | 3AL10165 | LEFT GUIDE,LOOP | 1 | 1 | 1 | 5 |
| | 3AL10170 | SHEET,GUIDE LOOP | 1 | 1 | 1 | 5 |
| | 3AL10181 | LEFT SHEET,GUIDE LOOP | 1 | 1 | 1 | 5 |
| | 3AL10190 | SPRING,LIGHT SHIELD | 1 | 1 | 1 | 6 |
| | 3AL10200 | REAR HOLDER,LOOP PULLEY | 1 | 1 | 1 | 5 |
| | 3AL10210 | SHEET,LOOP PULLEY | 2 | 2 | 2 | 5 |
| | 3AL10230 | SPRING,LOOP PULLEY SOLENOID | 1 | 1 | 1 | 5 |
| | 3AL10281 | LOWER LEFT SHEET B,GUIDE LOOP | 1 | 1 | 1 | 5 |
| ● | 3AL22010 | PULLEY T35/T22/Z22 | 1 | 1 | 1 | 7 |
| ● | 3AL22020 | PULLEY T28/Z18 | 1 | 1 | 1 | 7 |
| ● | 3AL22030 | GEAR Z22/T35P2M | 1 | 1 | 1 | 7 |
| ● | 3AL22040 | GEAR Z18/T25P2M | 1 | 1 | 1 | 6 |
| ● | 3AL27011 | MOTOR,PAPER FEED | 2 | 2 | 2 | 7 |
| | 3AL27030 | WIRE, TABLE | 1 | 1 | 1 | 3 |
| ● | 3AL27070 | SOLENOID,LEADING FEED | 1 | 1 | 1 | 4 |
| ● | 3AL27080 | SOLENOID,FEED SHIFT | 2 | 2 | 2 | 5,6 |
| ● | 3AL27111 | SOLENOID,LOOP PULLEY | 1 | 1 | 1 | 5 |
| ● | 3AL28020 | SET LED PCB | 1 | 1 | 1 | 4 |
| ● | 3AL93010 | PARTS,CLUTCH PAPER FEED,SP | 1 | 1 | 1 | 4 |
| ● | 3AL93020 | PARTS,DRIVER PCB,SP | 1 | 1 | 1 | 8 |
| | 3BC02010 | FRONT FRAME | 1 | 1 | 1 | 2 |
| | 3BC02020 | REAR FRAME | 1 | 1 | 1 | 2 |
| | 3BC02030 | STAY,PAPER FEED | 1 | 1 | 1 | 2 |
| | 3BC02040 | MOUNT,DF PCB | 2 | 2 | 2 | 2 |
| ● | 3BC04011 | COVER,PAPER FEED | 1 | 1 | 1 | 1 |
| ● | 3BC07010 | PULLEY,LEADING FEED | 1 | 1 | 1 | 4 |
| ● | 3BC07020 | PULLEY,SEPARATION | 2 | 2 | 2 | 4 |
| | 3BC07031 | UPPER GUIDE,PAPER FEED | 1 | 1 | 1 | 4 |

| SP | Part. No. | Description | Quantity | | | Fig. No. |
|----|-----------|----------------------------------|----------|------|------|----------|
| | | | 120V | 230V | 240V | |
| | 3BC07040 | LOWER GUIDE,PAPER FEED | 2 | 2 | 2 | 4 |
| | 3BC07050 | LIFT PLATE,PAPER FEED | 1 | 1 | 1 | 4 |
| | 3BC07060 | MOUNT,SEPARATION PULLEY | 1 | 1 | 1 | 4 |
| | 3BC07071 | ARM,SEPARATION PULLEY | 2 | 2 | 2 | 4 |
| | 3BC07080 | SHAFT,LEADING FEED | 1 | 1 | 1 | 4 |
| | 3BC07090 | FRONT SHAFT,PAPER FEED | 1 | 1 | 1 | 4 |
| | 3BC07100 | REAR SHAFT,PAPER FEED | 1 | 1 | 1 | 4 |
| | 3BC07111 | SHAFT,SEPARATION | 1 | 1 | 1 | 4 |
| | 3BC07120 | SHAFT,LIFT PLATE | 1 | 1 | 1 | 4 |
| ● | 3BC07130 | ONE-WAY CLUTCH 6 | 2 | 2 | 2 | 4 |
| | 3BC07161 | MOUNT,LIFT SOLENOID | 1 | 1 | 1 | 4 |
| ● | 3BC07170 | BELT 138,LEADING FEED | 1 | 1 | 1 | 4 |
| | 3BC07181 | ACTUATOR,ORIGINAL SET | 1 | 1 | 1 | 4 |
| | 3BC07190 | PIN,PAPER FEED GUIDE | 1 | 1 | 1 | 5 |
| | 3BC07200 | MOUNT,SET SWITCH | 1 | 1 | 1 | 4 |
| | 3BC07210 | SPRING,ACTUATOR | 1 | 1 | 1 | 4 |
| | 3BC07230 | GUIDE,SEPARATION | 1 | 1 | 1 | 4 |
| | 3BC07250 | SPRING,LIFT PLATE | 1 | 1 | 1 | 4 |
| | 3BC07260 | STOPPER,ORIGINAL | 1 | 1 | 1 | 4 |
| | 3BC07270 | SHEET,LIFT PLATE PAPER FEED | 2 | 2 | 2 | 4 |
| | 3BC07290 | UPPER SHEET,GUIDE PAPER FEED | 1 | 1 | 1 | 4 |
| | 3BC07300 | LEVER B,LIFT | 1 | 1 | 1 | 4 |
| ● | 3BC07310 | STATIC ELIMINATOR,EJECT | 1 | 1 | 1 | 4 |
| ● | 3BC07320 | PAD,LIFT | 1 | 1 | 1 | 4 |
| | 3BC08011 | RIGHT GUIDE,REGISTRATION | 1 | 1 | 1 | 6 |
| | 3BC08020 | GUIDE PLATE,EJECT | 1 | 1 | 1 | 6 |
| | 3BC08031 | GUIDE,RESISTANCE | 1 | 1 | 1 | 5 |
| | 3BC08042 | GUIDE,EJECT | 1 | 1 | 1 | 5 |
| ● | 3BC08050 | ROLLER,REGISTRATION | 1 | 1 | 1 | 6 |
| | 3BC08060 | SHAFT,EJECT PULLEY | 2 | 2 | 2 | 5 |
| | 3BC08070 | MOUNT,TIMING SWITCH | 1 | 1 | 1 | 6 |
| | 3BC08081 | LEVER,EJECT | 1 | 1 | 1 | 6 |
| | 3BC08090 | SHAFT,REGISTRATION PULLEY | 1 | 1 | 1 | 5 |
| | 3BC08130 | SPRING,REGISTRATION PULLEY | 2 | 2 | 2 | 5 |
| | 3BC08140 | SHEET,EJECT PULLEY | 2 | 2 | 2 | 5 |
| ● | 3BC08150 | INNER ROLLER,CONVEYING | 1 | 1 | 1 | 6 |
| | 3BC08160 | GUIDE,EJECT FEED SHIFT | 1 | 1 | 1 | 6 |
| | 3BC08180 | REINFORCEMENT,REGISTRATION GUIDE | 1 | 1 | 1 | 5 |
| | 3BC08190 | HANDLE,REGISTRATION GUIDE | 2 | 2 | 2 | 5 |
| ● | 3BC08220 | PULLEY B,REGISTRATION | 3 | 3 | 3 | 5 |

• Parts with "●" indicates the Service parts.

| SP | Part. No. | Description | Quantity | | | Fig. No. |
|----|-----------|--------------------------------|----------|------|------|----------|
| | | | 120V | 230V | 240V | |
| | 3BC22010 | TENSION PLATE,CONVEYING ROLLER | 1 | 1 | 1 | 6 |
| | 3BC22020 | MOUNT,IDLE GEAR | 1 | 1 | 1 | 7 |
| | 3BC22030 | MOUNT,PAPER FEED MOTOR | 1 | 1 | 1 | 7 |
| | 3BC22040 | MOUNT,CONVEYING MOTOR | 1 | 1 | 1 | 7 |
| | 3BC22050 | TENSION PLATE,PAPER FEED MOTOR | 1 | 1 | 1 | 7 |
| ● | 3BC22070 | BELT 190,PAPER FEED MOTOR | 1 | 1 | 1 | 7 |
| ● | 3BC22080 | BELT 112,REGISTRATION ROLLER | 2 | 2 | 2 | 6,7 |
| ● | 3BC22090 | BELT 140,MIDDLE ROLLER | 1 | 1 | 1 | 6 |
| ● | 3BC22100 | BELT 100,CONVEYING | 1 | 1 | 1 | 7 |
| | 3BC22110 | SPRING,CONVEYING ROLLER | 1 | 1 | 1 | 6 |
| | 3BC27011 | WIRE,PAPER FEED | 1 | 1 | 1 | 8 |
| | 3BR07180 | SPRING,SEPARATION PULLEY | 2 | 2 | 2 | 4 |
| ● | 3C004010 | FRONT COVER | 1 | 1 | 1 | 1 |
| ● | 3C004020 | REAR COVER | 1 | 1 | 1 | 1 |
| ● | 3C004030 | STOPPER,EJECT ORIGINAL | 1 | 1 | 1 | 1 |
| | 3C004040 | HANDLE,HOOK | 1 | 1 | 1 | 1 |
| ● | 3C005020 | LABEL,HINGE CAUTION | 1 | 1 | 1 | 1 |
| ● | 3C006010 | TABLE,ORIGINAL | 1 | 1 | 1 | 3 |
| ● | 3C006020 | COVER,TABLE | 1 | 1 | 1 | 3 |
| ● | 3C006030 | COVER,ORIGINAL GUIDE | 1 | 1 | 1 | 3 |
| | 3C027010 | WIRE B,INTERFACE | 1 | 1 | 1 | 8 |
| ● | 33906430 | TORQUE LIMITER,BYPASS | 1 | 1 | 1 | 4 |
| ● | 33918100 | GEAR 18,FUR BRUSH | 2 | 2 | 2 | 5,6 |
| ● | 34806140 | STOPPER 4 | 2 | 2 | 2 | 4,5 |
| ● | 34806150 | STOPPER 5 | 4 | 4 | 4 | 4 |
| | 34920190 | GROUND PLATE, FIXING UNIT | 2 | 2 | 2 | 7 |
| ● | 35327400 | SWITCH,FEED | 2 | 2 | 2 | 4,6 |
| ● | 36827140 | SWITCH A,INTERLOCK | 2 | 2 | 2 | 2,4 |
| | 48928800 | PULLEY,TIMING BELT | 2 | 2 | 2 | 6,7 |
| | 60606101 | BUSHING FEED BACK ROLLER | 1 | 1 | 1 | 5 |
| | 63202120 | SUPPORT PLATE,COVER | 2 | 2 | 2 | 1 |
| ● | 63212210 | STATIC ELIMINATOR,EJECT | 1 | 1 | 1 | 4 |
| ● | 63227150 | SWITCH L,FEED | 1 | 1 | 1 | 4 |
| | 63511541 | PIN,ADF | 2 | 2 | 2 | 6 |
| | 63526080 | SPRING,SAFETY SWITCH LEVER | 2 | 2 | 2 | 5 |
| ● | 63806290 | BUSHING,6 | 1 | 1 | 1 | 6 |
| ● | 63814100 | IDLE GEAR 15,AGITATION | 1 | 1 | 1 | 7 |
| | 63814260 | SPRING,DEV. SHUTTER | 1 | 1 | 1 | 6 |
| ● | 65011310 | GEAR 20,IDLE | 1 | 1 | 1 | 7 |
| ● | 65016080 | STOP RING E3 | 1 | 1 | 1 | 6 |

• Parts with "●" indicates the Service parts.

| SP | Part. No. | Description | Quantity | | | Fig. No. |
|----|-----------|----------------------------------|----------|------|------|----------|
| | | | 120V | 230V | 240V | |
| | 65027470 | CORE,7-15X18 | 1 | 1 | 1 | 8 |
| | 65706200 | SEAL B,RACK | 1 | 1 | 1 | 4 |
| | 65710330 | PULLEY,EJECT TENSION | 1 | 1 | 1 | 4 |
| | 65907210 | GEAR 20,CASSETTE | 1 | 1 | 1 | 3 |
| | 65907610 | SEAL,PAPER EMPTY | 1 | 1 | 1 | 2 |
| | 66008070 | SPRING,DRUM DRIVE | 1 | 1 | 1 | 2 |
| ● | 66018180 | GEAR 26,SPIRAL ROLLER | 1 | 1 | 1 | 7 |
| ● | 66206190 | LOWER PULLEY 26,FEED | 2 | 2 | 2 | 4 |
| | 72118141 | SPRING,CLEANING BLADE | 1 | 1 | 1 | 1 |
| | 72418480 | SPRING, SPIRAL ROLLER | 2 | 2 | 2 | 6 |
| ● | 73210450 | BUSH, 6 | 7 | 7 | 7 | 4,6 |
| | 73818100 | SPRING, BLADE THRUST | 1 | 1 | 1 | 4 |
| | 73918080 | PIN,CLEANING BLADE | 1 | 1 | 1 | 6 |
| | 74306520 | JOINT,PULLEY DRIVE SHAFT | 1 | 1 | 1 | 4 |
| ● | 74808080 | BEARING,686ZZNR | 6 | 6 | 6 | 6 |
| | 75018250 | SPRING CLEANING SOLENOID | 1 | 1 | 1 | 7 |
| | 75714210 | COLLAR DEVELOPING UNIT | 2 | 2 | 2 | 6,7 |
| ● | 76221040 | GEAR 28 FD | 1 | 1 | 1 | 7 |
| ● | 78706241 | FILTER CF SENSOR | 1 | 1 | 1 | 3 |
| | 78722151 | PULLEY 20 | 2 | 2 | 2 | 7 |
| ● | 78727110 | JAM DETECTION SWITCH | 2 | 2 | 2 | 3,6 |
| | M0207000 | BINDING BAND,KB-100-1 | 1 | 1 | 1 | 4 |
| | M1203200 | OPEN BUSHING,OCB-375 | 3 | 3 | 3 | 2 |
| | M2104200 | EDGING,EDS-1 | 2 | 2 | 2 | 2 |
| | M2105040 | NYLON CLAMP 6N,NK-6N | 1 | 1 | 1 | 8 |
| | M2105720 | MINIATURE CLAMP,UAMS-05-2 | 4 | 4 | 4 | 4 |
| | M2105730 | MINIATURE CLAMP,UAMS-07-0 | 2 | 2 | 2 | 2 |
| | M2109080 | LOCKING WIRE SADDLE,LWS-4NS | 1 | 1 | 1 | 2 |
| | M2109260 | WIRE SADDLE,YMC-05-H-0(KITAGAWA) | 8 | 8 | 8 | 2,5,6,7 |
| | M2109350 | WIRE SADDLE,YMC-15-0(KITAGAWA) | 1 | 1 | 1 | 4 |
| | M2607010 | BINDING BAND,PLT1M | 2 | 2 | 2 | 4,5 |

CLASSIFICATION OF THE SCREWS IN ILLUSTRATION

| <u>REF.</u> | <u>ITEM #</u> | <u>DESCRIPTION</u> | <u>REF.</u> | <u>ITEM #</u> | <u>DESCRIPTION</u> |
|-------------|---------------|---------------------------------|-------------|---------------|----------------------------------|
| BAA | B1003040 | BINDING SCREW,CVM3X4 | HAD | B4003050 | TRIPLE SCREW M3X05 |
| BAL | B1003050 | BINDING SCREW CVM3X5 | HAH | B4003080 | TRIPLE TAPPING SCREW M3X8 B-TYP. |
| BAN | B1004060 | BINDING SCREW CVM4X6 | HAO | B4043080 | TRIPLE TAP-TITE P SCREW M3X08 |
| BAP | B1003100 | BINDING SCREW CVM3X10 | HBA | B4303050 | TRIPLE SCREW M3X5 (BLACK) |
| BBA | B1303040 | BINDING SCREW BVM3X4 (BLACK) | HCA | B4104060 | TRIPLE SCREW M4X6(CHROMIUM) |
| BBB | B1303050 | BINDING SCREW BVM3X5 (BLACK) | KAL | E0020100 | SPRING PIN 2X10 |
| BBE | B1304060 | BINDING SCREW BVM4X6 (BLACK) | KAM | E0020120 | SPRING PIN 2X12 |
| BHN | B8013080 | BINDING TAP-TIGHT SCREW M3X08 | KAV | E0030120 | SPRING PIN 3X12 |
| BMF | B1003140 | BINDING SCREW CVM3X14 | KBC | E0130240 | SPRING PIN 3X24(SUS) |
| BUH | B8003060 | BINDING TAP-TIGHT P SCREW M3X06 | KFB | E5120120 | SPRING PIN H7A 2X12 SUS |
| DJU | B5394040 | W-POINT SET SCREW M4X4 | KFJ | E5120140 | PARALLEL PIN H7A 2X14 SUS |
| E03 | D1000300 | STOP RING (E-3) | WAE | C2006130 | PLAIN WASHER PWM6 |
| E04 | D1000400 | STOP RING (E-4) | XAD | C2893960 | SHIM 6.2-13-0.13T |
| E05 | D1000500 | STOP RING (E-5) | XBC | C2893950 | SHIM 6.2-0.25T |
| E07 | D1000700 | STOP RING (E-7) | | | |

KYOCERA MITA EUROPE B.V.

Hoeksteen 40, 2132 MS Hoofddorp,
The Netherlands
Phone: (020) 6540000
Home page: <http://www.kyoceramita-europe.com>
Email: info@kyoceramita-europe.com

KYOCERA MITA NEDERLAND B.V.

Hoeksteen 40, 2132 MS Hoofddorp,
The Netherlands
Phone: (020) 5877200

KYOCERA MITA (UK) LIMITED

8 Beacontree Plaza
Gillette Way,
Reading RG2 0BS UK
Phone: (0118) 931 1500

KYOCERA MITA ITALIA S.P.A.

Via Verdi 89/91 20063 Cernusco sul Naviglio
(Milano) Italy
Phone: 02-92179 1

S.A. KYOCERA MITA BELGIUM N.V.

Hermesstraat 8A, 1930 Zaventem, Belgium
Phone: (02) 7209270

KYOCERA MITA FRANCE S.A.

Parc les Algorithmes
SAINT AUBIN
91194 GIF-SUR-YVETTE
France
Phone: (01) 69852600

KYOCERA MITA ESPAÑA S.A.

Edificio Mita, Avda. De Manacor N°2,
Urb. Parque Rozas, Apartado de Correos 76,
28230 Las Rozas, Madrid, Spain
Phone: (91) 631-8392

KYOCERA MITA FINLAND OY

Kirvesmiehenkatu 4, 00810 Helsinki,
Finland
Phone: (09) 478-05200

KYOCERA MITA (SCHWEIZ) AG

Hölzliwisen, Industriestrasse 28,
8604 Volketswil, Switzerland
Phone: (01) 908 4949

KYOCERA MITA DEUTSCHLAND GMBH

Mollsfeld 12 40670 Meerbusch,
Germany
Phone: 02159-918120

KYOCERA MITA GMBH AUSTRIA

Eduard-Kittenberger-Gasse 95,
1230, Wien, Austria
Phone: (01) 86338-0

KYOCERA MITA SVENSKA AB

Siktgatan 2,
162 50 Vällingby, Sweden
Phone: (08) 4719999

KYOCERA MITA DANMARK A/S

Industrivej 11, DK-4632 Bjæverskov,
Denmark
Phone: 56871100

KYOCERA MITA PORTUGAL LDA.

CASCAISTOCK-Armazem n°8,
Rua das Fiskas, Alcoitão,
2765 Estoril, Portugal
Phone: (21) 4602221

KYOCERA MITA SOUTH AFRICA (PTY) LTD.

UNIT 3, "Kyalami Crescent,"
Kyalami Business Park,
1685 Midrand, South Africa
Phone: (11) 466-3290

KYOCERA MITA AMERICA, INC.

Headquarters:
225 Sand Road, P.O. Box 40008,
Fairfield, New Jersey 07004-0008,
U.S.A.
Phone: (973) 808-8444

KYOCERA MITA AUSTRALIA PTY. LTD.

Level 3, 6-10 Talavera Road, North Ryde,
N.S.W. 2113 Australia
Phone: (02) 9888-9999

KYOCERA MITA NEW ZEALAND LTD.

1-3 Parkhead Place,
Albany, Auckland,
New Zealand
Phone: (09) 415-4517

KYOCERA MITA (THAILAND) CORP., LTD.

9/209 Ratchada-Prachachem Road,
Bang Sue, Bangkok 10800, Thailand
Phone: (02) 586-0320

KYOCERA MITA SINGAPORE PTE LTD.

121 Genting Lane, 3rd Level,
Singapore 349572
Phone: (65) 7418733

KYOCERA MITA HONG KONG LIMITED

11/F., Mita Centre,
552-566, Castle Peak Road,
Tsuen Wan, New Territories,
Hong Kong
Phone: (852) 24297422

KYOCERA MITA CORPORATION

2-28, 1-chome, Tamatsukuri, Chuo-ku
Osaka 540-8585, Japan
Phone: (06) 6764-3555

© 2001 KYOCERA MITA CORPORATION

 is a trademark of Kyocera Corporation

mita is a registered trademark of KYOCERA MITA CORPORATION

Printed in Holland